

JCB-18PGG-VS

- EN** >>> Original Instructions - X-X
- DE** >>> Originalanleitung - X-X
- NL** >>> Originele instructies - X-X
- PL** >>> Oryginalne instrukcje - X-X
- HU** >>> Eredeti utasítások - X-X
- TR** >>> Orijinal Talimatlar - X-X

GENERAL WARNINGS & DISPOSAL



To reduce the risk of injury, the user must read the instruction manual.



This symbol is used throughout this manual to warn the user about potential risks. Please read & understand these sections before using the device.



Personal Protective Equipment (P.P.E.), such as ear defenders, eye protection, safety gloves and a dust mask, must be worn during the operation of the device.



The device must not be exposed to rain or immersed in water.



Do not allow any part of the device to come into contact with flames, or to catch fire.



Do not expose battery pack or tool to fire or excessive temperatures.



Do not dispose of batteries in household waste. Return exhausted batteries to a local collection or recycling point.

Li

This product has been marked with a symbol relating to removing electric and electronic waste. The product should not be discarded with household waste but must be returned to a collection system which conforms to the EU Directive 2012/19/EU or the UK Waste Electrical and Electronic Equipment Regulations 2013. It will then be recycled or dismantled in order to reduce the impact on the environment. Electric and electronic equipment can be hazardous for the environment and for human health since they contain hazardous substances.

The month and year of manufacture can be found within the product serial number e.g. MMYYPXXAXXXX. Where production month (MM) and production year (YY) are included.

Contents

GENERAL POWER TOOL SAFETY WARNINGS	4
1. Work area safety	4
2. Electrical safety	4
3. Personal safety	3-4
4. Power tool use and care	5
5. Battery tool use and care	5-6
6. Service	6
TOOL SPECIFIC SAFETY WARNINGS	7
Safety Warnings Common for use with Grease Guns	7
CHARGER SAFETY	8
COMPONENT LIST	9
TOOL TECHNICAL DATA	10
BATTERY TECHNICAL DATA	10
CHARGER TECHNICAL DATA	10
NOISE INFORMATION	10-11
VIBRATION INFORMATION	11
ASSEMBLY	12-16
Installing the Barrel	12
Filling with Grease	13
Using a Grease Cartridge	13
Using Bulk Grease	14
Re-Installing the Barrel	15
OPERATION	15-16
Purging Air	15
LED Light	15
On/Off Trigger	15
Counter Dial	15
Pressure/Speed Setting	16
Maintenance	16
Transport and Storage	16
WARRANTY STATEMENT	17



GENERAL POWER TOOL SAFETY WARNINGS

WARNING!

Read all safety warnings, instructions and specifications provided with the charger. Failure to follow all instructions listed below may result in electric shock, fire and/or serious injury. **Save all warnings and instructions for future reference.**

The term “power tool” in the warnings refers to your mains operated (corded) power tool or battery operated (cordless) power tool.

1. Work area safety

- > **Keep work area clean and well lit.**
Cluttered or dark areas invite accidents.
- > **Do not operate power tools in explosive atmospheres, such as in the presence of flammable liquids, gases or dust.** Power tools create sparks which may ignite the dust or fumes.
- > **Keep children and bystanders away while operating a power tool.**
Distractions can cause you to lose control.

2. Electrical safety

- > **Power tool plugs must match the outlet. Never modify the plug in any way. Do not use any adapter plugs with earthed (grounded) power tools.**
Unmodified plugs and matching outlets will reduce risk of electric shock.
- > **Avoid body contact with earthed or grounded surfaces, such as pipes, radiators, ranges and refrigerators.**
There is an increased risk of electric shock if your body is earthed or grounded.
- > **Do not expose power tools to rain or wet conditions.** Water entering a power tool will increase the risk of electric shock.

- > **Do not abuse the cord. Never use the cord for carrying, pulling or unplugging the power tool. Keep the cord away from heat, oil, sharp edges or moving parts.** Damaged or entangled cords increase the risk of electric shock.
- > **When operating a power tool outdoors, use an extension cord suitable for outdoor use.** Use of a cord suitable for outdoor use reduces the risk of electric shock.
- > **If operating a power tool in a damp location is unavoidable, use a residual current device (RCD) protected supply.** Use of an RCD reduces the risk of electric shock.

3. Personal safety

- > **Stay alert, watch what you are doing and use common sense when operating a power tool. Do not use a power tool while you are tired or under the influence of drugs, alcohol or medication.** A moment of inattention while operating power tools may result in serious personal injury.
- > **Use personal protective equipment. Always wear eye protection.** Protective equipment such as a dust mask, non-skid safety shoes, hard hat or hearing protection used for appropriate conditions will reduce personal injuries.
- > **Prevent unintentional starting. Ensure the switch is in the off position before connecting to power source and/or battery pack, picking up or carrying the tool.** Carrying power tools with your finger on the switch or energising power tools that have the switch on invites accidents.

- > **Remove any adjusting key or wrench before turning the power tool on.** A wrench or a key left attached to a rotating part of the power tool may result in personal injury.
 - > **Do not overreach. Keep proper footing and balance at all times.** This enables better control of the power tool in unexpected situations.
 - > **Dress properly. Do not wear loose clothing or jewellery. Keep your hair and clothing away from moving parts.** Loose clothes, jewellery or long hair can be caught in moving parts.
 - > **If devices are provided for the connection of dust extraction and collection facilities, ensure these are connected and properly used.** Use of dust collection can reduce dust-related hazards.
 - > **Do not let familiarity gained from frequent use of tools allow you to become complacent and ignore tool safety principles.** A careless action can cause severe injury within a fraction of a second.
- 4. Power tool use and care**
- > **Do not force the power tool. Use the correct power tool for your application.** The correct power tool will do the job better and safer at the rate for which it was designed.
 - > **Do not use the power tool if the switch does not turn it on and off.** Any power tool that cannot be controlled with the switch is dangerous and must be repaired.
 - > **Disconnect the plug from the power source and/or remove the battery pack, if detachable, from the power tool before making any adjustments, changing accessories, or storing power tools.** Such preventive safety measures reduce the risk of starting the power tool accidentally.
- > **Remove any adjusting key or wrench before turning the power tool on.** A wrench or a key left attached to a rotating part of the power tool may result in personal injury.
 - > **Do not overreach. Keep proper footing and balance at all times.** This enables better control of the power tool in unexpected situations.
 - > **Dress properly. Do not wear loose clothing or jewellery. Keep your hair and clothing away from moving parts.** Loose clothes, jewellery or long hair can be caught in moving parts.
 - > **If devices are provided for the connection of dust extraction and collection facilities, ensure these are connected and properly used.** Use of dust collection can reduce dust-related hazards.
 - > **Do not let familiarity gained from frequent use of tools allow you to become complacent and ignore tool safety principles.** A careless action can cause severe injury within a fraction of a second.
- 5. Battery tool use and care**
- > **When the battery pack is not in use, keep it away from other metal objects, like paper clips, coins, keys, nails, screws or other small metal objects that can make a connection from one terminal to another.** Shorting the battery terminals together may cause burns or a fire.
 - > **Under abusive conditions, liquid may be ejected from the battery; avoid contact. If contact accidentally occurs, flush with water. If liquid contacts eyes, additionally seek medical help.** Liquid ejected from the battery may cause irritation or burns.



- **Do not use a battery pack or tool that is damaged or modified.** Damaged or modified batteries may exhibit unpredictable behaviour resulting in fire, an explosion or risk of injury.
- **Do not expose a battery pack or tool to fire or excessive temperature.** Exposure to fire or temperature above 130 °C may cause explosion.
- **Follow all charging instructions and do not charge the battery pack or tool outside the temperature range specified in the instructions.** Charging improperly or at temperatures outside the specified range may damage the battery and increase the risk of fire.
- **Case of Fire or Thermal Runaway, follow these steps:**
 1. If the battery catches fire or shows signs of thermal runaway (e.g. swelling, smoke, hissing, or intense heat):
 2. Evacuate the Area Immediately – Ensure personal safety first. Move away from the battery.
 3. Do Not Attempt to Extinguish with Water – Use a Class D fire extinguisher or dry sand if available.
 4. Call Emergency Services – Contact your local fire department and inform them it is a lithium battery fire.
 5. Do Not Handle or Move the Battery – It may explode
- **Battery Disposal**

To safely dispose of lithium-ion batteries, do not place them in general waste or incinerate them, as they pose a fire and environmental hazard. Instead, take used or damaged batteries to a certified recycling centre or an approved battery disposal facility. Always follow local regulations and guidelines for hazardous waste disposal. Before transport, cover the battery terminals with non-conductive tape to prevent short circuits. Proper disposal helps prevent pollution and allows valuable materials to be recovered and reused.

6. Service

- **Have your power tool serviced by a qualified repair person using only identical replacement parts.** This will ensure that the safety of the power tool is maintained.
- **Never service damaged battery packs.** Service of battery packs should only be performed by the manufacturer or authorized service providers.

TOOL SPECIFIC SAFETY WARNINGS

- › **Wear ear protectors.** Exposure to noise can cause hearing loss.
- › **Always use safety glasses.** Everyday glasses are not safety glasses.
- › **Wear a dust mask.** Take protective measures against inhalation of dust. Some materials can contain toxic materials. Also work with dust/ chip extraction when connectable.
- › **Wear gloves when operating the power tool or changing accessories.** Accessible metal parts on the tools and bits may get extremely hot during operation. Small bits of broken material may damage bare hands.
- › **WARNING: Risk of fire, and grease may be flammable.** Do not expose to fire or heat. Read and follow all warnings and instructions from the lubricant manufacturer.
- › **To reduce the risk of serious personal injury, do not use the grease gun around or on moving parts, mechanisms or running equipment.**
- › **Ventilation openings often cover moving parts and should be avoided.** Loose clothing, jewellery, or long hair can get caught on moving parts.
- › **WARNING: The grease gun may generate high pressures up to 10000 psi (690 bar).** Always wear gloves when operating. Keep hands away from exposed rubber parts of the hose.

Safety Warnings Common for use with Grease Guns

- › **Parts of the tool or the hose assembly can break or crack due to high pressure.** Risk of serious injury may occur. Always inspect tools and hose assemblies for damage or wear before use. Never use if any part of the tool is damaged or worn.
- › **Use only flexible hoses recommended by the manufacturer.** Hold the hose only by the flexible hose safety spring guard to avoid serious personal injury.
- › **If the hose becomes kinked or damaged, it may rupture, resulting in serious injury.** Replace hoses at the first sign of wear, kinking, or damage.
- › **WARNING: Risk of injection or serious injury.** A broken component can inject grease into the skin or eyes, causing serious injury or infection. Don't treat of it as a simple cut and seek medical advice immediately.
- › **Use only grease recommended in this manual.** See the technical information sheet.
- › **WARNING: The output may be under high pressure. Do not discharge directly to yourself, other peoples or pets.**
- › **When not in use, place the tool on its side on a stable surface to avoid tripping or falling hazards. Some tools with large battery packs can stand upright on the battery pack, but may be easily knocked over.**
- › **When not use for a long time, remove the battery pack from the machine before storing.**



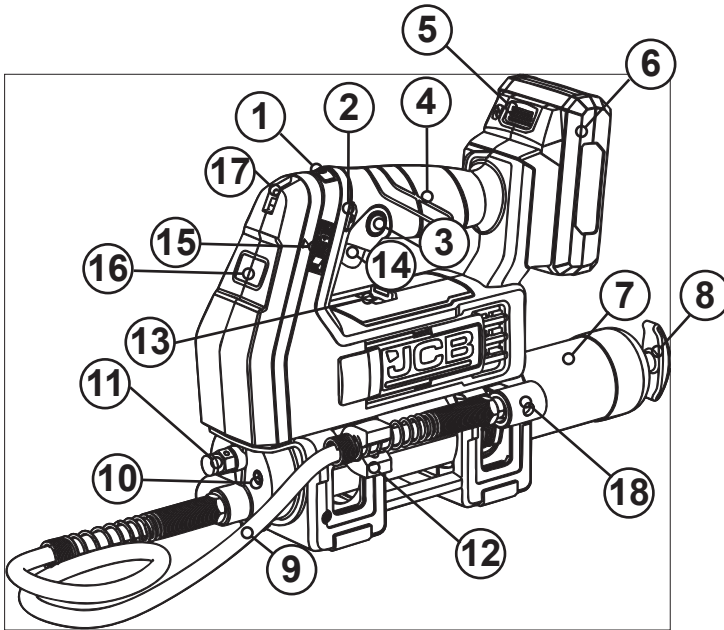
CHARGER SAFETY

WARNING!

Read all safety warnings, instructions and specifications provided with the charger. Failure to follow all instructions listed below may result in electric shock, fire and/or serious injury. **Save all warnings and instructions for future reference.**

- > **To reduce risk of injury, only charge JCB rechargeable batteries.**
The charger and battery packs are specifically designed to work together. Other types of batteries may burst causing fire and personal injury.
- > **Do not allow any liquid to get inside the charger.** Electric shock may result.
- > **Do not expose the charger to rain or snow.**
- > **Under certain conditions with the charger plugged into the power supply, the exposed charging contacts inside the charger can be shorted by foreign materials.**
Foreign materials of a conductive nature such as, but not limited to, steel, wool, aluminium foil or any buildup of metallic particles should be kept away from charger cavities.
- > **Always unplug the charger from the power supply when there is no battery in the cavity.**
- > **Unplug the charger from the power supply before attempting to clean.**
- > **Do not operate the charger with a damaged cord or plug.** Have them replaced immediately.
- > **JCB battery chargers are designed to operate on 230-240V AC input voltage (Note: the dual charger can additionally operate on 100-240 AC input voltage). Do not attempt to use them on any other supply voltage.**
- > **This appliance can be used by children aged from 8 years and above and persons with reduced physical, sensory or mental capabilities or lack of experience and knowledge if they have been given supervision or instruction concerning use of the appliance in a safe way and understand the hazards involved.** Children shall not play with the appliance. Cleaning and user maintenance shall not be made by children without supervision.
- > **If the supply cord is damaged, it must be replaced by the manufacturer, its service agent or similarly qualified persons in order to avoid a hazard.**

COMPONENT LIST



- | | |
|------------------------------|-----------------------------|
| 1. Light Switch | 10. Filler Port Plug |
| 2. Safety Lock Button | 11. Air Drain |
| 3. Lock on Button | 12. Hose Holder |
| 4. Main Handle | 13. Speed/Pressure Selector |
| 5. Battery Release Button | 14. On/Off Trigger |
| 6. Battery (Sold Separately) | 15. Counter Dial |
| 7. Grease Barrel | 16. LED Lamp |
| 8. Grease Plunger | 17. Strap Eyelets |
| 9. Flexible Hose | 18. Grease Outlet Adapter |

POWER TOOL TECHNICAL DATA

Model	JCB-18PGG-VS	
Rated Voltage	18V	
Grease Capacity	Cartridge	400g
	Bulk	473g
Flow Rate	1.	100g/min
	2.	300g/min
Operation Pressure	1.	1000psi
	2.	6000psi
Hose Length	120cm	
Grease Type	Litium Based	
Machine Weight (without battery)	3.95kg	

LITHIUM ION BATTERY TECHNICAL DATA

Battery Code	Battery Size	Voltage	Battery Capacity	Charge Time (18FC-45 Fast Charger)	Charge Time (18-FC9 Super Fast Charger)	Charge Time (18-DC45 Dual Fast Charger)
18LI-2	Small	18V	2.0Ah	45 mins	45 mins	45 mins
18LI-4HC	Small	18V	4.0Ah	65 mins	45 mins	65 mins
18LI-5	Large	18V	5.0Ah	75 mins	45 mins	75 mins

Times given as a guide only. Battery charge and discharge times dependant on age, usage and condition.

CHARGER TECHNICAL DATA

Charger Type	Input Data	Output Data
18FC-45 Fast Charger	AC 220-240V, 50-60Hz, 120W	18V d.c. 4.5A
18FC-9 Super Fast Charger	AC 220-240V, 50-60Hz, 185W	20.5V d.c. 9.0A
18DC-45 Dual Fast Charger	AC 220-240V, 50-60Hz, 260W	18V d.c. 2 x 4.5A USB-A & USB-C =5V d.c. 2.4A

NOISE INFORMATION

Noise emission values determined according to EN 60745-1 and EN 60745-2-3.

A-Weighted Sound Pressure (L_{pA})	76.1 dB(A)
A-Weighted Sound Power (L_{WA})	87.1 dB(A)
K_{pA} & K_{WA}	3 dB(A)

Wear ear protection when sound pressure is over 80 dB(A)

WARNING!

Wear hearing protection. The effects of noise can cause a loss of hearing. The above-mentioned noise emission values were measured in accordance with a standardised test procedure and can be used to compare one power tool with another. The above-mentioned noise emission values can also be used for the preliminary assessment of exposure.

The noise emissions during the actual use of the power tool may differ from the above-mentioned values depending on the power tool being used, in particular on the type of workpiece being processed. Try to keep emissions as low as possible, for example by limiting your working time. In this regard, all the operational cycle phases must be taken into consideration (such as the times when the tool is switched off or running idle).

VIBRATION INFORMATION

Vibration total values (triax vector sum) determined according to EN 60745-1 and EN 60745-2-3

Vibration Emission Value (a_{hAG})	Main Handle	2.9 m/s ²
	Auxiliary Handle	2.4 m/s ²
Uncertainty (K)		1.5 m/s ²

WARNING!

The vibration emission value of the power tool is tested under EN 60745-1 and EN 60745-2-3, and can vary during operation depending on the following usage conditions:

- How the tool is used and the materials being cut or drilled.
- The tool being in good condition and well maintained.
- Using the correct accessory for the tool and ensuring it is sharp and in good condition.
- The tightness of the grip on the handles and if any anti-vibration accessories are used.
- The tool being used as intended by its design and these instructions.
- The declared vibration total value may also be used in a preliminary assessment of

exposure.

THIS TOOL MAY CAUSE HAND-ARM VIBRATION SYNDROME (HAVS) IF USAGE IS NOT ADEQUATELY MANAGED.

WARNING!

To be accurate, an estimation of exposure level in the actual conditions of use should also take account of all parts of the operating cycle. These include times when the tool is switched off and when it is running idle but not actually doing work. This may significantly reduce the total exposure level over the working period, helping to minimize your vibration exposure risk.



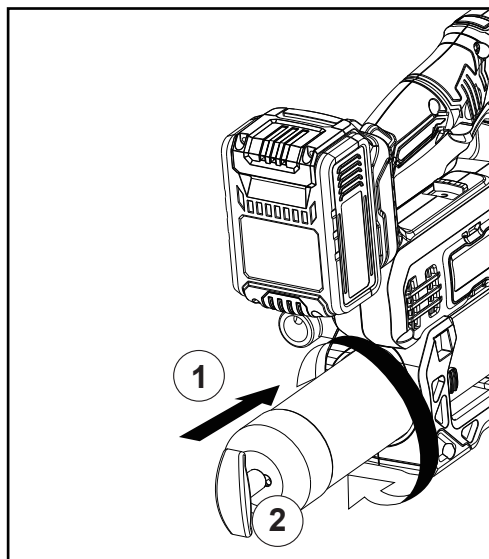
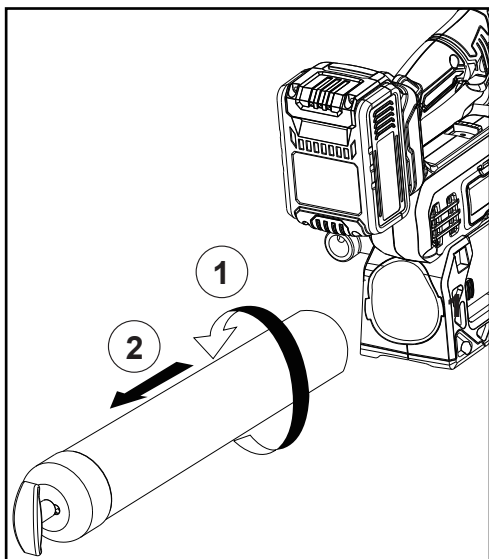
ASSEMBLY

Installing the Barrel

NOTE : The Grease Barrel may already be installed.

To remove the Grease Barrel, rotate anti-clockwise (1). Pull the barrel gently to release (2).

To install the barrel, lightly push into the body of the tool (1) and rotate clock wise (2).

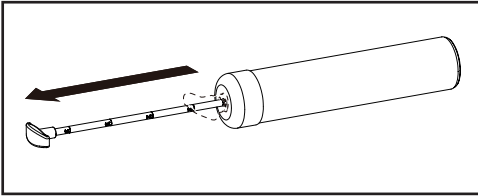


ASSEMBLY

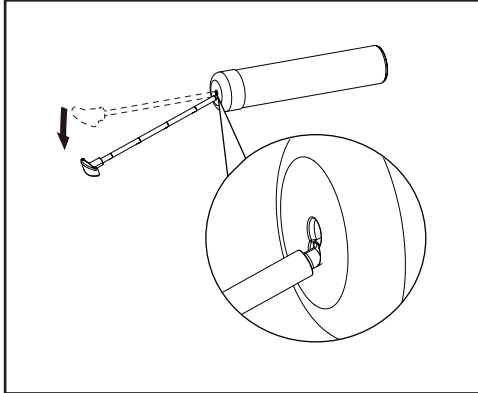
Filling with Grease

You can use either Grease Cartridges or "Bulk" Grease with this machine.

Remove the Barrel, then fully pull the Grease Plunger out (as shown below).



With the plunger fully retracted, click it down to lock into place (as shown below). This allows grease to be loaded without the need to hold the plunger.

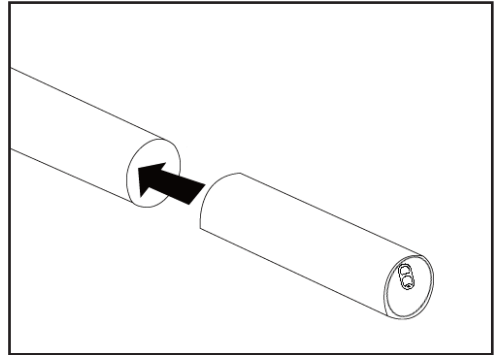


Using a Grease Cartridge

When using a cartridge ensure it doesn't exceed the maximum capacity of the Grease Barrel (400g)

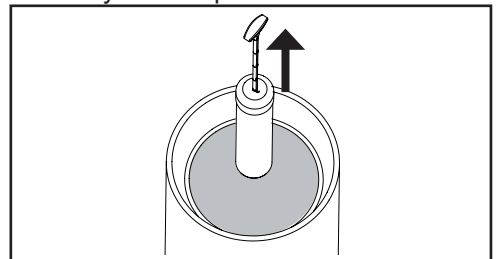
Following the previous instruction, remove the barrel and fully retract the Grease Plunger; locking in the reward position.

Slide your cartridge into the barrel, ensuring the ringpull side is facing out. When seated, remove the ringpull.



Using Bulk Grease

Following the previous instruction, remove the barrel, Then place the open end onto the bulk grease adapter. By retracting the Grease plunger, the pressure will pull grease into the cartridge. If this doesn't work try pushing down on the cartridge. Alternatively you can fill with grease manually with a spatula.

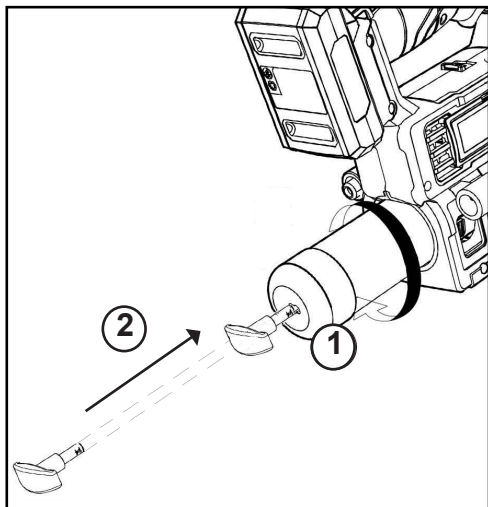


ASSEMBLY

Re-Installing the Barrel

Place the Grease Barrel back into the machine and secure into place (1).

Then unlock and push the plunger until fully compressed (2)



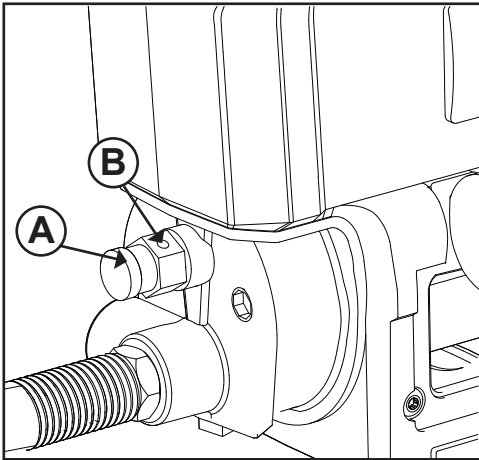
OPERATION

Purging Air

After you have filled the machine with grease, air can become trapped within the lines. You can purge out this air for accurate operation.

Turn the Bleeder Valve Cap (A) Anti-clockwise. Grease should flow from the Relief Hole (B).

When you have a steady stream of grease, all air should be purged.



LED Light

Press the light switch (1) on/off to use the light.

On/Off Trigger

To dispense grease you must first disengage the Safety Lock Button (2). Then you can pull the On/Off Trigger (14) to dispense grease. Connect the Grease Outlet Adapter to a suitable union/connector, then dispense.

Counter Dial

WARNING!

When pumping grease, you can add too much grease. This will hydraulic increase the pressure within the machine and the system. NEVER continuously pump if grease is already leaking bleeding through the outlets.

To be more precise with using this machine, you can limit the amount of grease per use.

The counter dial can be set to "ON" which will pump grease for as long as the trigger is pulled.

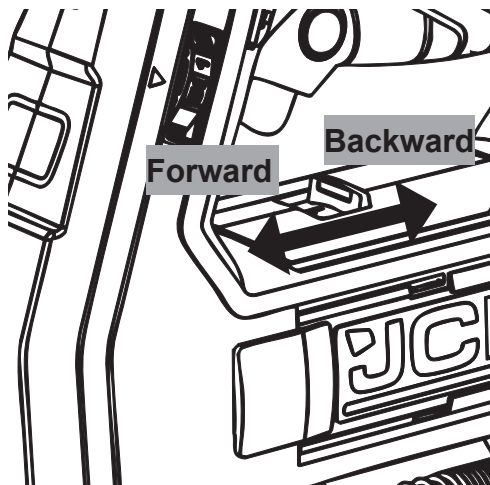
Turn the dial to your desired amount of grease. Each pump will distribute 1 gram or millimeter of grease. If you would like 10 grams of grease, set the dial to 10 and hold down the On/Trigger. The machine will automatically stop at your set amount.

Lock On Button

When you have set your desired amount of grease output, you can lock the trigger on if required. Whilst holding down the On/Off Trigger, press the Lock On Button. The machine will continuously output grease without the need to hold the On/Off trigger.

Pressure Setting

Move Speed/Pressure Switch forward and backward to change settings. Set the switch to “1” for lower speed/pressure and setting “2” for higher



Maintenance

WARNING!

Switch off the power tool and disconnect the power (remove battery/unplug) before cleaning and maintenance. This helps avoid the risk of electric shocks and accidental starting.

- > Wipe the tool with a dry or damp cloth. **Do not use a wet cloth. Do not use detergent that contains solvent or corrosive, abrasive additives.** This risks damaging the surfaces of the tool.
- > Clear the tool vents and the accessory mount of dust and dirt after each use. **Do not clean ventilation holes by inserting sharp objects in them, such as screwdrivers and other similar objects.**
- > Stubborn contamination in areas hard to access can be removed with compressed air (max 3. bar).

- > Regularly check all fasteners, screws and bolts to make sure that they are tight. Tighten any loose screws immediately or serious injury could occur.

WARNING!

Never open the power tool. The power tool has no internal parts that the user can service or repair. Never try to repair the power tool yourself. Take to an authorised service centre.

Transport and Storage

- > If the power tool will remain unused for any length of time, it should be stored in the original packaging.
- > Store the power tool and battery in a dry, frost-free, well ventilated place.
- > Keep all tools out of the reach of children.
- > Always switch off the power tool and disconnect it from the power supply (remove the battery/unplug the power cord) before transport.
- > Always carry the power tool using the purpose-designed handle.
- > Ensure that the power tool is not at risk of tipping over or exposed to excessive vibration and shocks during transport, especially if the power tool will be transported by car or other vehicle.

NOTE

Operating temperature: 0-40 °C
Storage temperature: 20-60 °C

WARRANTY STATEMENT

Proof of purchase will be required before you make a warranty claim. Full warranty terms and conditions are available from your local distributor, they can be found on the JCB Tools website:
www.jcb-tools.com

FOR ANY MACHINE SOLD OUTSIDE THE UK, PLEASE CONTACT THE VENDOR FROM WHOM YOU PURCHASED THE MACHINE, AND/OR YOUR LOCAL JCB TOOLS DISTRIBUTOR

RETURNING YOUR PRODUCT

If you are returning your product, please contact the dealer for their returns policy.



OGÓLNE OSTRZEŻENIA I UTYLIZACJA



Aby zminimalizować ryzyko urazu, użytkownik musi przeczytać instrukcję obsługi.



Symbol ten jest używany w całym instrukcji, aby ostrzegać użytkownika o potencjalnych zagrożeniach. Proszę przeczytać i zrozumieć te sekcje przed użyciem urządzenia.



Podczas używania urządzenia należy nosić środki ochrony indywidualnej (P.P.E.), takie jak ochronniki słuchu, okulary ochronne, rękawice ochronne i maskę przeciwpyłową.



Urządzenie nie może być wystawione na deszcz ani zanurzone w wodzie.



Nie dopuszczaj do kontaktu żadnej części urządzenia z płomieniami ani do jego zapalenia się.



Nie wystawiaj akumulatora ani narzędzia na działanie ognia ani na wysokie temperatury.



Li

Nie wyrzucaj baterii do odpadów domowych. Zużyte baterie zwróć do lokalnego punktu zbiórki lub recyklingu.



Produkt został oznaczony symbolem dotyczącym usuwania odpadów elektrycznych i elektronicznych. Produkt nie powinien być wyrzucany razem z odpadami domowymi, lecz musi być zwrócony do systemu zbiórki, który jest zgodny z dyrektywą UE 2012/19/EU lub brytyjskimi przepisami dotyczącymi zużytego sprzętu elektrycznego i elektronicznego z 2013 roku. Następnie zostanie poddany recyklingowi lub demontażowi w celu zmniejszenia wpływu na środowisko. Sprzęt elektryczny i elektroniczny może być szkodliwy dla środowiska i zdrowia ludzkiego, ponieważ zawiera substancje niebezpieczne.

Miesiąc i rok produkcji można znaleźć w numerze seryjnym produktu, np. MMYYPXXXXXX. Gdzie miesiąc produkcji (MM) i rok produkcji (YY) są zawarte.

OGÓLNE OSTRZEŻENIA BEZPIECZEŃSTWA NARZĘDZI ELEKTRYCZNYCH

UWAGA!

Przeczytaj wszystkie ostrzeżenia dotyczące bezpieczeństwa, instrukcje i specyfikacje dołączone do ładowarki. Nieprzestrzeganie poniższych instrukcji może skutkować porażeniem elektrycznym, pożarem i/lub poważnymi obrażeniami. **Zachowaj wszystkie ostrzeżenia i instrukcje do późniejszego wykorzystania.**

Termin „narzędzie elektryczne” w ostrzeżeniach odnosi się do narzędzi zasilanych z sieci (przewodowych) lub akumulatorowych (beprzewodowych).

1. Bezpieczeństwo miejsca pracy

- **Utrzymuj miejsce pracy w czystości i dobrze oświetlone.** Zagrażone lub ciemne pomieszczenia sprzyjają wypadkom.
- **Nie używaj elektronarzędzi w atmosferze wybuchowej, na przykład w obecności łatwopalnych cieczy, gazów lub pyłów.** Elektronarzędzia wytwarzają iskry, które mogą zapalić pyły lub opary.
- **Trzymaj dzieci i osoby postronne z dala podczas używania elektronarzędzia.** Rozpraszanie uwagi może spowodować utratę kontroli.

2. Bezpieczeństwo elektryczne

- **Wtyczki elektronarzędzi muszą pasować do gniazdka. Nigdy nie modyfikuj wtyczki w żaden sposób. Nie używaj żadnych adapterów z uziemionymi elektronarzędziami.** Niezmienione wtyczki i pasujące gniazdka zmniejszają ryzyko porażenia prądem elektrycznym.
- **Unikaj kontaktu ciała z uziemionymi powierzchniami, takimi jak rury, grzejniki, kuchenki i lodówki.** Istnieje zwiększone ryzyko porażenia prądem, jeśli ciało jest uziemione.
- **Nie wystawiaj elektronarzędzi na deszcz lub wilgotne warunki.** Woda dostająca się do elektronarzędzia zwiększa ryzyko porażenia prądem.

- **Nie nadużywaj przewodu. Nigdy nie używaj przewodu do przenoszenia, ciągnięcia lub odłączania elektronarzędzia.** Trzymaj przewód z dala od ciepła, oleju, ostrych krawędzi lub ruchomych części. Uszkodzone lub splątane przewody zwiększają ryzyko porażenia prądem.
- **Podczas pracy z elektronarzędziem na zewnątrz, używaj przedłużacza odpowiedniego do użytku zewnętrznego.** Użycie kabla dostosowanego do warunków zewnętrznych zmniejsza ryzyko porażenia prądem.
- **Jeśli nie można uniknąć pracy z elektronarzędziem w wilgotnym miejscu, użyj zasilania chronionego przez urządzenie różnicowe (RCD).** Użycie RCD zmniejsza ryzyko porażenia prądem.

3. Bezpieczeństwo osobiste

- **Bądź czujny, zwracaj uwagę na to, co robisz i korzystaj ze zdrowego rozsądku podczas obsługi elektronarzędzia. Nie używaj elektronarzędzi, gdy jesteś zmęczony lub pod wpływem narkotyków, alkoholu czy leków.** Chwila nieuwagi podczas pracy z elektronarzędziem może prowadzić do poważnych obrażeń.
- **Używaj sprzętu ochronnego. Zawsze noś ochronę oczu.** Sprzęt ochronny, taki jak maska przeciwpyłowa, buty antypoślizgowe, kask ochronny czy ochrona słuchu, stosowany w odpowiednich warunkach, zmniejsza ryzyko obrażeń.
- **Zapobiegaj niezamierzonemu uruchomieniu. Upewnij się, że przełącznik jest w pozycji wyłączonej przed podłączeniem do źródła zasilania i/lub baterii, podnoszeniem lub przenoszeniem narzędzia.** Przenoszenie elektronarzędzi z palcem na przełączniku lub uruchamianie narzędzi, gdy przełącznik jest włączony, zwiększa ryzyko wypadków.



- > **Usuń wszelkie klucze regulacyjne lub klucze płaskie przed włączeniem narzędzia elektrycznego.** Pozostawienie klucza przy obrotowej części narzędzia może prowadzić do obrażeń.
- > **Nie wychylaj się za bardzo. Zawsze utrzymuj właściwą postawę i równowagę.** Umożliwia to lepszą kontrolę nad narzędziem w niespodziewanych sytuacjach.
- > **Ubierz się odpowiednio. Nie noś luźnej odzieży ani biżuterii. Trzymaj włosy i ubrania z dala od ruchomych części.** Luźne ubrania, biżuteria czy długie włosy mogą zostać wciągnięte przez ruchome części.
- > **Jeżeli urządzenia są przeznaczone do podłączenia systemów odsysania i zbierania pyłu, upewnij się, że są one prawidłowo podłączone i używane.** Użycie systemu zbierania pyłu może zredukować zagrożenia związane z pyłem.
- > **Nie pozwól, aby znajomość wynikająca z częstego użycia narzędzi sprawiła, że zlekceważysz zasady bezpieczeństwa narzędzi.** Nieuważne działanie może spowodować poważne obrażenia w ułamku sekundy.
- > **Usuń wszelkie klucze regulacyjne lub klucze płaskie przed włączeniem narzędzia elektrycznego.** Pozostawienie klucza przy obrotowej części narzędzia może prowadzić do obrażeń.
- > **Nie wychylaj się za bardzo. Zawsze utrzymuj właściwą postawę i równowagę.** Umożliwia to lepszą kontrolę nad narzędziem w niespodziewanych sytuacjach.
- > **Ubierz się odpowiednio. Nie noś luźnej odzieży ani biżuterii. Trzymaj włosy i ubrania z dala od ruchomych części.** Luźne ubrania, biżuteria czy długie włosy mogą zostać wciągnięte przez ruchome części.
- > **Jeżeli urządzenia są przeznaczone do podłączenia systemów odsysania i zbierania pyłu, upewnij się, że są one prawidłowo podłączone i używane.** Użycie systemu zbierania pyłu może zredukować zagrożenia związane z pyłem.
- > **Nie pozwól, aby znajomość wynikająca z częstego użycia narzędzi sprawiła, że zlekceważysz zasady bezpieczeństwa narzędzi.** Nieuważne działanie może spowodować poważne obrażenia w ułamku sekundy.

4. Użytkowanie i pielęgnacja narzędzi elektrycznych

- > **Nie używaj narzędzia z nadmierną siłą. Używaj odpowiedniego narzędzia elektrycznego do danego zadania.**
Odpowiednie narzędzie wykona pracę lepiej i bezpieczniej przy prędkości, do której zostało zaprojektowane.
- > **Nie używaj narzędzia elektrycznego, jeśli włącznik nie działa prawidłowo.** Każde narzędzie, które nie może być kontrolowane za pomocą włącznika, jest niebezpieczne i należy je naprawić.
- > **Odłącz wtyczkę od źródła zasilania i/lub wyjmij akumulator, jeśli jest odłączalny, zanim dokonasz jakichkolwiek regulacji, zmienisz akcesoria lub przechowasz narzędzia.** Takie środki ostrożności zmniejszają ryzyko przypadkowego uruchomienia narzędzia.

5. Użytkowanie i pielęgnacja narzędzi z akumulatorem

- > **Kiedy akumulator nie jest używany, trzymaj go z dala od metalowych przedmiotów, takich jak spinacze, monety, klucze, gwoździe, śruby lub inne małe metalowe przedmioty, które mogą spowodować zwarcie biegunów.** Zwarcie biegunów akumulatora może spowodować oparzenia lub pożar.
- > **W przypadku niewłaściwego użytkowania bateria może wyciekać; unikaj kontaktu. W razie przypadkowego kontaktu przepłucz wodą. Jeśli płyn dostanie się do oczu, dodatkowo skonsultuj się z lekarzem.** Wyciekający płyn z baterii może powodować podrażnienia lub oparzenia.

- **Nie używaj uszkodzonego lub zmodyfikowanego akumulatora ani narzędzia.**
Uszkodzone lub zmodyfikowane baterie mogą zachowywać się nieprzewidywalnie, co może prowadzić do pożaru, wybuchu lub ryzyka obrażeń.
- **Nie narażaj akumulatora ani narzędzia na działanie ognia lub nadmiernej temperatury.**
Ekspozycja na ogień lub temperaturę powyżej 130 °C może spowodować wybuch.
- **Przestrzegaj wszystkich instrukcji dotyczących ładowania i nie ładuj akumulatora ani narzędzia poza zakresem temperatur określonym w instrukcjach.**
Nieprawidłowe ładowanie lub ładowanie w temperaturach poza określonym zakresem może uszkodzić akumulator i zwiększyć ryzyko pożaru.
- **W przypadku pożaru lub termicznego ucieczki, postępuj zgodnie z poniższymi krokami:**

1. Jeśli bateria się zapali lub wykazuje oznaki przegrzewania (np. pęcznienie, dym, syczenie, lub intensywne ciepło):
2. Natychmiast ewakuuj teren – Najpierw zadбай o własne bezpieczeństwo. Oddal się od baterii.
3. Nie próbuj gasić wodą – Użyj gaśnicy klasy D lub suchego piasku, jeśli jest dostępny.
4. Wezwij służby ratunkowe – Skontaktuj się z lokalną strażą pożarną i poinformuj ich, że to pożar baterii litowej.
5. Nie dotykaj ani nie przenoś baterii – Może wybuchnąć

Utylizacja baterii

Aby bezpiecznie zutylizować baterie litowo-jonowe, nie umieszczaj ich w odpadach ogólnych ani nie spalaj, ponieważ stanowią zagrożenie pożarowe i dla środowiska. Zamiast tego, używane lub uszkodzone baterie należy dostarczyć do certyfikowanego centrum recyklingu lub zatwierdzonego punktu utylizacji baterii. Zawsze przestrzegaj lokalnych przepisów i wytycznych dotyczących utylizacji odpadów niebezpiecznych. Przed transportem zakryj zaciski baterii taśmą nieprzewodzącą, aby zapobiec zwarciom. Prawidłowa utylizacja pomaga zapobiegać zanieczyszczeniom i umożliwia odzyskiwanie oraz ponowne wykorzystanie cennych materiałów.

6. Serw

- **Serwisuj swoje narzędzie zasilające u wykwalifikowanego technika, używając jedynie identycznych części zamiennych.** Zapewni to utrzymanie bezpieczeństwa narzędzia.

Nigdy nie serwisuj uszkodzonych pakietów baterii.

Serwis pakietów baterii powinien być wykonywany tylko przez producenta lub autoryzowanych dostawców usług.

OSTRZEŻENIA BEZPIECZEŃSTWA SPECYFICZNE DLA NARZĘDZI

- > **Noś ochronniki słuchu.** Ekspozycja na hałas może prowadzić do utraty słuchu.
 - > **Zawsze używaj okularów ochronnych.** Zwykłe okulary nie są okularami ochronnymi.
 - > **Noś maskę przeciwpyłową.** Zabezpieczaj się przed wdychaniem pyłu. Niektóre materiały mogą zawierać substancje toksyczne. Pracuj również z wyciągiem pyłu/wiórow, gdy jest to możliwe.
 - > **Zakładaj rękawice podczas obsługi elektronarzędzia lub wymiany akcesoriów.** Dostępne metalowe części narzędzi oraz końcówki mogą się ekstremalnie nagrzewać podczas pracy. Małe fragmenty złamanego materiału mogą uszkodzić gołe ręce.
- Ostrzeżenia dotyczące bezpieczeństwa wspólne dla użytkownika z pistoletem do smaru**

 - > **Części narzędzia lub zespołu węża mogą się złamać lub pęknąć z powodu wysokiego ciśnienia.** Może wystąpić ryzyko poważnych obrażeń. Zawsze sprawdzaj narzędzia i zespoły węża pod kątem uszkodzeń lub zużycia przed użyciem. Nigdy nie używaj, jeśli jakkolwiek część narzędzia jest uszkodzona lub zużyta.
 - > **Używaj tylko elastycznych wężów zalecanych przez producenta.** Trzymaj wąż wyłącznie za elastyczną osłonę bezpieczeństwa sprężyny, aby uniknąć poważnych obrażeń osobistych.
 - > **Jeśli wąż zostanie zagięty lub uszkodzony, może pęknąć, powodując poważne obrażenia.** Wymień węże przy pierwszych oznakach zużycia, zagięcia lub uszkodzenia.
 - > **OSTRZEŻENIE: Ryzyko wstrzyknięcia lub poważnych obrażeń.** Uszkodzony element może wstrzyknąć smar do skóry lub oczu, powodując poważne obrażenia lub infekcję. Nie traktuj tego jak zwykłego skaleczenia i natychmiast skonsultuj się z lekarzem.
 - > **Używaj tylko smaru zalecanego w tej instrukcji.** Zobacz kartę informacyjną techniczną.
- > **OSTRZEŻENIE: Ryzyko pożaru, a smar może być łatwopalny.** Nie narażaj na działanie ognia ani ciepła. Przeczytaj i przestrzegaj wszystkich ostrzeżeń i instrukcji od producenta środka smarnego.
 - > **Aby zminimalizować ryzyko poważnych obrażeń, nie używaj smarownicy w pobliżu lub na ruchomych częściach, mechanizmach czy działającym sprzęcie.**
 - > **Otwory wentylacyjne często zakrywają ruchome części, których należy unikać.** Luzem noszone ubrania, biżuteria czy długie włosy mogą zostać wciągnięte przez ruchome części.
 - > **OSTRZEŻENIE: Smarownica może generować wysokie ciśnienie do 10000 psi (690 bar).** Zawsze noś rękawice podczas obsługi. Trzymaj ręce z dala od odsłoniętych gumowych części węża.
 - > **OSTRZEŻENIE: Wylot może być pod wysokim ciśnieniem. Nie kieruj go bezpośrednio na siebie, innych ludzi ani zwierzęta.**
 - > **Gdy narzędzie nie jest używane, połóż je na boku na stabilnej powierzchni, aby uniknąć ryzyka potknięcia lub upadku.** Niektóre narzędzia z dużymi bateriami mogą stać pionowo na pakiecie baterii, ale mogą być łatwo przewrócone.
 - > **Gdy narzędzie nie jest używane przez dłuższy czas, przed przechowywaniem wyjmij pakiet baterii z urządzenia.**

BEZPIECZEŃSTWO ŁADOWARKI

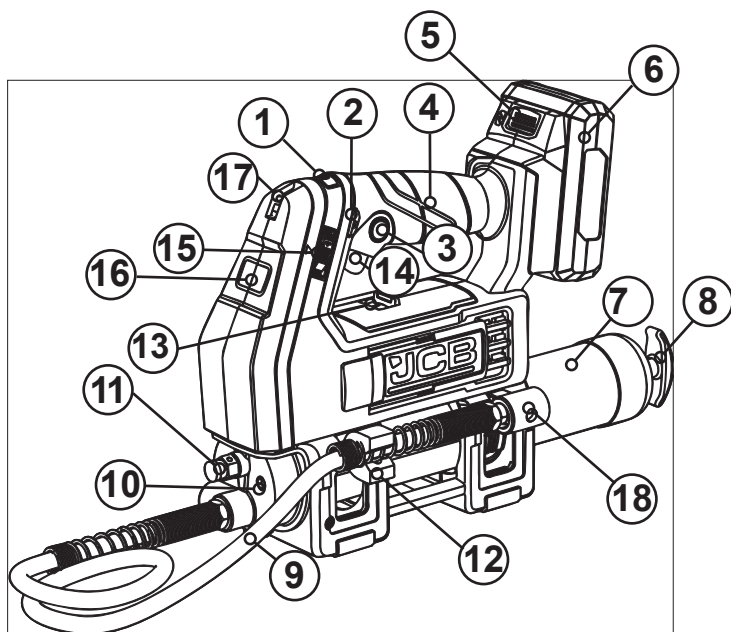
OSTRZEŻENIE!

Przeczytaj wszystkie ostrzeżenia dotyczące bezpieczeństwa, instrukcje i specyfikacje dostarczone wraz z ładowarką.

Nieprzebrnięcie wszystkich poniższych instrukcji może skutkować porażeniem elektrycznym, pożarem i/lub poważnymi obrażeniami. Zachowaj wszystkie ostrzeżenia i instrukcje do przyszłego wglądu.

- Aby zmniejszyć ryzyko obrażeń, ładuj tylko akumulatory JCB. Ładowarka i zestawy akumulatorów są specjalnie zaprojektowane do współpracy. Inne typy baterii mogą eksplodować, powodując pożar i obrażenia ciała.
- Nie dopuszczaj do przedostania się płynów do wnętrza ładowarki. Może to spowodować porażenie prądem.
- Nie wystawiaj ładowarki na deszcz ani śnieg.
- Pod pewnymi warunkami, gdy ładowarka jest podłączona do źródła zasilania, odsłonięte styki ładowania wewnątrz ładowarki mogą zostać zwarcie przez obce materiały.
Materiały przewodzące, takie jak, ale nie ograniczając się do, stal, wełna, folia aluminiowa lub nagromadzenie cząstek metalicznych powinny być trzymane z dala od wnętrza ładowarki.
- Zawsze odłączaj ładowarkę od źródła zasilania, gdy w wnęce nie ma baterii.
- Odłącz ładowarkę od źródła zasilania przed próbą czyszczenia.
- Nie używaj ładowarki z uszkodzonym przewodem lub wtyczką. Wymień je natychmiast.
- Ładowarki akumulatorów JCB są zaprojektowane do pracy przy napięciu wejściowym 230-240V AC (Uwaga: podwójna ładowarka może dodatkowo działać na napięciu 100-240V AC). Nie próbuj używać ich przy innym napięciu zasilania.
- To urządzenie może być używane przez dzieci od 8 roku życia oraz osoby o ograniczonych możliwościach fizycznych, sensorycznych lub umysłowych albo braku doświadczenia i wiedzy, jeśli zostały poinstruowane lub nadzorowane w zakresie bezpiecznego korzystania z urządzenia i rozumieją związane z tym zagrożenia. Dzieci nie powinny bawić się urządzeniem. Czyszczenie i konserwacja użytkownika nie powinny być wykonywane przez dzieci bez nadzoru.
- Jeśli przewód zasilający jest uszkodzony, musi być wymieniony przez producenta, jego agenta serwisowego lub podobnie wykwalifikowane osoby, aby uniknąć zagrożenia.

LISTA KOMPONENTÓW



- | | |
|------------------------------------|-------------------------------|
| 1. Przełącznik światła | 10. Korek wlewu |
| 2. Przycisk blokady bezpieczeństwa | 11. Odpowietrznik |
| 3. Przycisk blokady | 12. Uchwyt na wąż |
| 4. Główna rączka | 13. Wybór prędkości/ciśnienia |
| 5. Przycisk zwalniania baterii | 14. Przycisk Włącz/ Wyłącz |
| 6. Bateria (sprzedawana osobno) | 15. Licznik |
| 7. Bębenek smaru | 16. Lampa LED |
| 8. Tłok smaru | 17. Oczka na pasek |
| 9. Elastyczny wąż | 18. Adapter wylotu smaru |

DANE TECHNICZNE NARZĘDZIA ELEKTRYCZNEGO

Model	JCB-18PGG-VS	
Napięcie znamionowe	18V	
Pojemność smaru	Wkład	400g
	Luzem	473g
Szybkość przepływu	1.	100g/min
	2.	300g/min
Ciśnienie robocze	1.	1000psi
	2.	6000psi
Długość węża	120cm	
Rodzaj smaru	Na bazie litu	
Waga maszyny (bez baterii)	3,95 kg	

DANE TECHNICZNE AKUMULATORA LITOWO-JONOWEGO

Kod Akumulatora	Rozmiar baterii	Voltaż	Pojemność baterii	Czas ładowania (superszybka ładowarka 18-FC9)	Czas ładowania (18-FC9 Super Fast Charger)	Czas ładowania (18-DC45 Dual Fast Charger)
18LI-2	Mały	18V	2,0Ah	45 min	45 min	45 min
18LI-4HC	Mały	18V	4.0Ah	65 min	45 min	65 min
18LI-5	Duży	18V	5.0Ah	75 min	45 min	75 min

Czasy podane są jako orientacyjne. Czas ładowania i rozładowania baterii zależy od wieku, użycia i stanu.

DANE TECHNICZNE ŁADOWARKI

Typ ładowarki	Dane wejściowe	Dane wyjściowe
18FC-45 Szybka ładowarka	AC 220-240V, 50-60Hz, 120W	18V d.c. 4.5A
18FC-9 Ekstra szybka ładowarka	AC 220-240V, 50-60Hz, 185W	20.5V d.c. 9.0A
18DC-45 Podwójna szybka ładowarka	AC 220-240V, 50-60Hz, 260W	18V d.c. 2 x 4.5A USB-A & USB-C =5V d.c. 2.4A

INFORMACJE O HAŁASIE

Wartości emisji hałasu określone zgodnie z EN 60745-1 i EN 60745-2-3.

Ciśnienie akustyczne ważone A (LpA)	76,1 dB(A)
Moc akustyczna ważona A (LWA)	87,1 dB(A)
KpA & KwA	3 dB(A)
Nosić ochronniki słuchu, gdy ciśnienie akustyczne przekracza 80 dB(A)	

OSTRZEŻENIE!

Zakładaj ochronniki słuchu. Hałas może prowadzić do utraty słuchu. Powyższe wartości emisji hałasu zmierzono zgodnie z ustandaryzowaną procedurą testową i można je wykorzystać do porównania jednego narzędzia elektrycznego z innym. Wartości te mogą również posłużyć do wstępnej oceny narażenia.

Emisja hałasu podczas rzeczywistego użytkowania narzędzia elektrycznego może różnić się od podanych wartości w zależności od używanego narzędzia, szczególnie od rodzaju obrabianego materiału. Staraj się ograniczać emisje, na przykład skracając czas pracy. W tym względzie należy wziąć pod uwagę wszystkie fazy cyklu pracy (takie jak momenty, gdy narzędzie jest wyłączone lub działa na biegu jałowym).

INFORMACJE O WIBRACJACH

Całkowite wartości drgań (suma wektorowa trójosiowa) określone zgodnie z EN 60745-1 i EN 60745-2-3

Emisja drgań Wartość (ahAG)	Główna rękojeść	2,9 m/s ²
	Pomocnicza rękojeść	2,4 m/s ²
Niepewność (K)		1,5 m/s ²

OSTRZEŻENIE!

Wartość emisji wibracji narzędzia jest testowana zgodnie z normami EN 60745-1 i EN 60745-2-3. Może się różnić podczas pracy w zależności od następujących warunków użytkowania:

- Jak narzędzie jest używane oraz jakie materiały są cięte lub wiercone.
- Narzędzie jest w dobrym stanie technicznym i odpowiednio konserwowane.
- Używanie odpowiedniego akcesorium dla narzędzia i upewnienie się, że jest ostre i w dobrym stanie.
- Siła uchwytu na rękojeściach oraz stosowanie akcesoriów antywibracyjnych, jeśli są używane.
- Narzędzie używane zgodnie z zamysłem projektu i instrukcjami.
- Deklarowana całkowita wartość drgań może być również użyta do wstępnej oceny

narażenia.

TO NARZĘDZIE MOŻE POWODOWAĆ ZESPÓŁ WIBRACYJNY RĘKA-RĘKA (HAVS), JEŚLI UŻYCIEM NIE JEST ODPOWIEDNIO ZARZĄDZANE.

OSTRZEŻENIE!

Aby być dokładnym, oszacowanie poziomu narażenia w rzeczywistych warunkach użytkowania powinno uwzględniać wszystkie części cyklu operacyjnego. Obejmuje to czasy, kiedy narzędzie jest wyłączone i kiedy pracuje na biegu jałowym, ale nie wykonuje rzeczywistej pracy. Może to znacząco zmniejszyć całkowity poziom narażenia w okresie pracy, pomagając zminimalizować ryzyko narażenia na drgania.

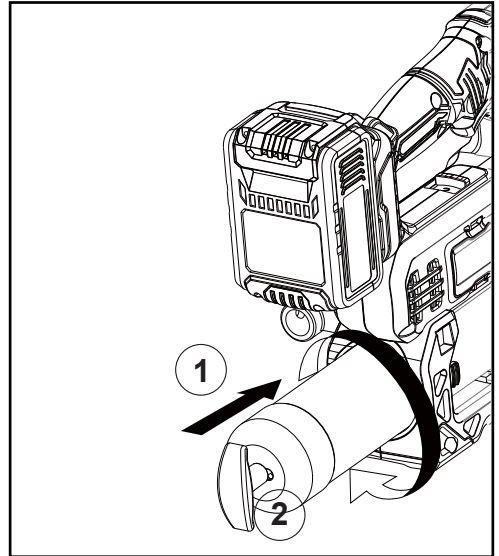
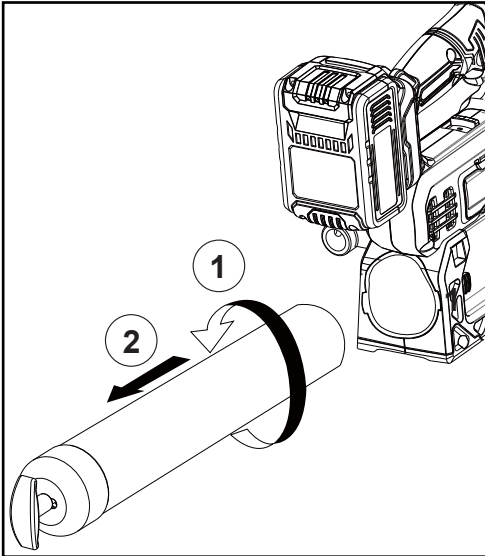
Montaż

Instalacja beczki

UWAGA: Beczka smarowa może być już zainstalowana.

Aby usunąć beczkę smarową, obróć ją w lewo (1). Delikatnie pociągnij beczkę, aby ją uwolnić (2).

Aby zamontować beczkę, lekko wciśnij ją w korpus narzędzia (1) i obróć zgodnie z ruchem wskazówek zegara (2).

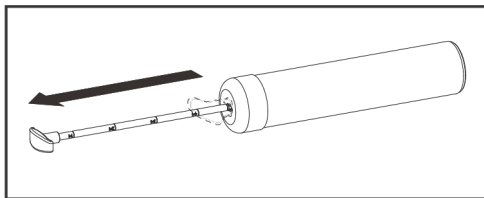


Montaż

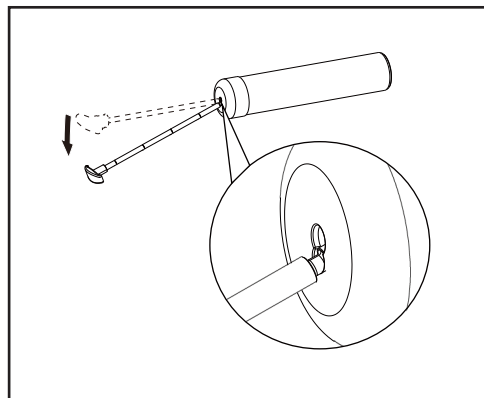
Napełnianie smarem

Możesz używać wkładów smaru lub „luzem” smaru z tym urządzeniem.

Wyjmij beczkę, a następnie całkowicie wyciągnij tłok do smaru (jak pokazano poniżej).



Po całkowitym cofnięciu tłoka, naciśnij go, aby zablokować w miejscu (jak pokazano poniżej). Umożliwia to załadowanie smaru bez konieczności trzymania tłoka.

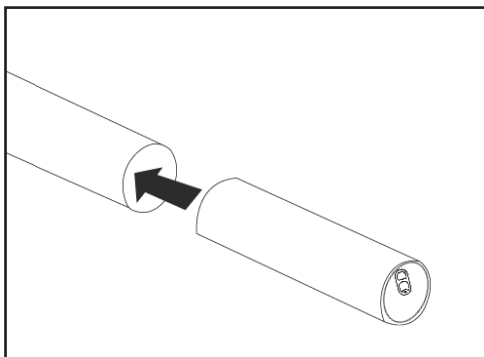


Używanie wkładu smarowniczego

Podczas używania wkładu upewnij się, że nie przekracza on maksymalnej pojemności tuby smarowniczej (400g)

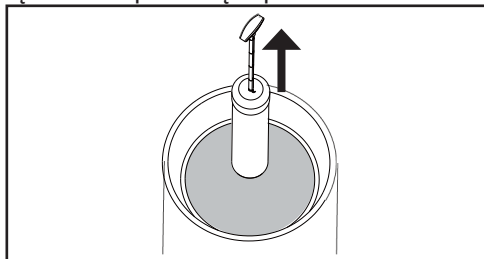
Po wykonaniu wcześniejszych instrukcji, wyjmij beczkę i całkowicie cofaj tłok do smaru; zablokuj go w pozycji nagrody.

Wsuń wkład do beczki, upewniając się, że strona z uchwytem pierścieniowym jest skierowana na zewnątrz. Po umieszczeniu, usuń uchwyt pierścieniowy.



Użycie smaru luzem

Postępując zgodnie z poprzednimi instrukcjami, usuń łufę. Następnie umieść otwarty koniec na adapterze do smaru luzem. Cofając tłok smaru, ciśnienie wciągnie smar do wkładu. Jeśli to nie zadziała, spróbuj nacisnąć wkład. Alternatywnie możesz napełnić smarem ręcznie za pomocą szpatułki.

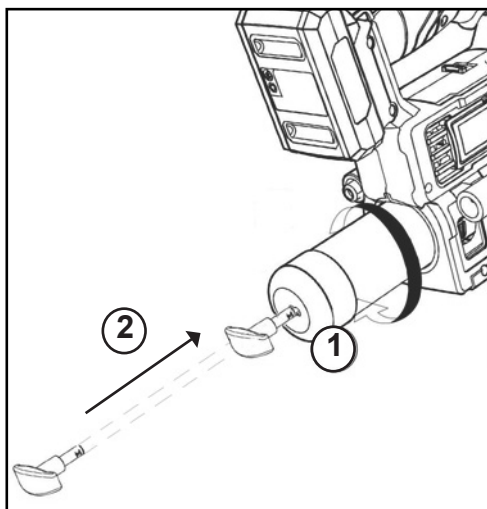


MONTAŻ

Ponowne montowanie beczki

Umieść beczkę na smar z powrotem w maszynie i zabezpiecz ją na miejscu (1).

Następnie odblokuj i wciśnij tłok aż do całkowitego sprężenia (2)



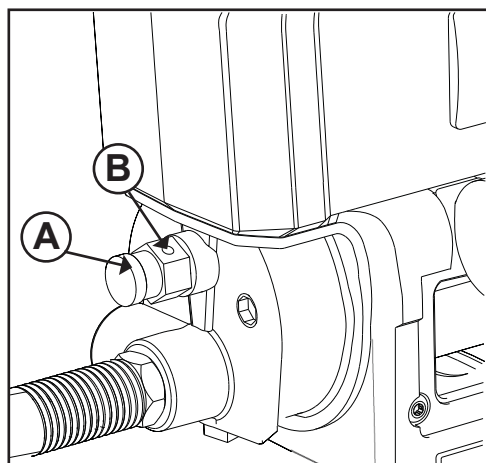
OBSŁUGA

Usuwanie powietrza

Po napełnieniu maszyny smarem, powietrze może zostać uwięzione w przewodach. Możesz usunąć to powietrze, aby zapewnić dokładną pracę.

Obróć pokrywę zaworu odpowietrzającego (A) w kierunku przeciwnym do ruchu wskazówek zegara. Smar powinien wypływać z otworu odpowietrzającego (B).

Gdy strumień smaru jest równomierny, całe powietrze powinno zostać usunięte.



Lampa LED

Naciśnij przełącznik (1) włącz/wyłącz, aby użyć światła.

Przycisk włącz/wyłącz

Aby podać smar, najpierw należy wyłączyć przycisk blokady bezpieczeństwa (2). Następnie można pociągnąć za przycisk włącz/wyłącz (14), aby podać smar. Podłącz adapter wyjścia smaru do odpowiedniego złącza, a następnie podawaj smar.

Licznik

OSTRZEŻENIE!

Podczas pompowania smaru można dodać zbyt dużo smaru. To spowoduje hydrauliczny wzrost ciśnienia w urządzeniu i systemie. NIGDY nie pompuj ciągle, jeśli smar już wycieka przez otwory wylotowe.

Aby precyzyjniej korzystać z tego urządzenia, można ograniczyć ilość smaru na jedno użycie.

Pokrętło licznika można ustawić w pozycji „ON”, co spowoduje pompowanie smaru tak długo, jak długo trzymany jest spust.

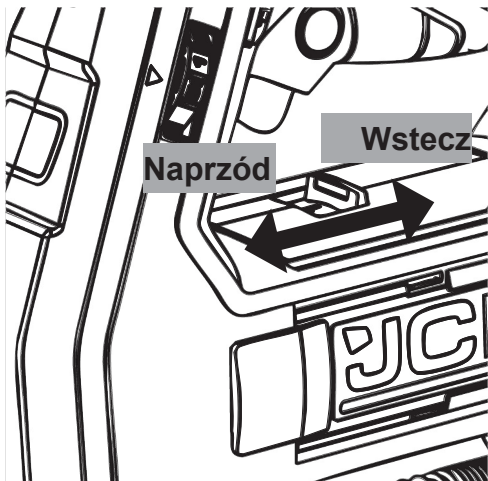
Ustaw pokrętło na żądaną ilość smaru. Każde naciśnięcie pompy dystrybuuje 1 gram lub mililitr smaru. Jeśli chcesz uzyskać 10 gramów smaru, ustaw pokrętło na 10 i przytrzymaj spust. Urządzenie automatycznie zatrzyma się na ustawionej ilości.

Przycisk blokady

Po ustawieniu pożądanej ilości smaru możesz zablokować spust, jeśli jest to wymagane. Trzymając naciśnięty spust, naciśnij przycisk blokady. Urządzenie będzie ciągle wydawać smar bez konieczności trzymania spustu.

Ustawienie ciśnienia

Przesuń przełącznik prędkości/ciśnienia do przodu i do tyłu, aby zmienić ustawienia. Ustaw przełącznik na „1” dla niższej prędkości/ciśnienia i na „2” dla wyższe



Konserwacja

⚠ OSTRZEŻENIE!

Wyłącz narzędzie elektryczne i odłącz zasilanie (usuń baterię/odłącz wtyczkę) przed czyszczeniem i konserwacją. To pomaga uniknąć ryzyka porażenia prądem i przypadkowego uruchomienia.

- Przetrzyj narzędzie suchą lub wilgotną szmatką. **Nie używaj mokrej szmatki ani detergentów zawierających rozpuszczalniki lub substancje żrące, ściernie.** Może to uszkodzić powierzchnię narzędzia.
- Po każdym użyciu oczyść otwory wentylacyjne narzędzia i mocowanie akcesoriów z kurzu i brudu. **Nie czyść otworów wentylacyjnych, wkładając do nich ostre przedmioty, takie jak śrubokręty i inne podobne obiekty.**
- Trudne do usunięcia zanieczyszczenia w trudno dostępnych miejscach można usunąć sprężonym powietrzem (maks. 3 bar).

- Regularnie sprawdzaj wszystkie mocowania, śruby i nakrętki, aby upewnić się, że są dobrze dokręcone. Natychmiast dokręć wszelkie luźne śruby, aby uniknąć poważnych obrażeń.

⚠ OSTRZEŻENIE!

Nigdy nie otwieraj narzędzia elektrycznego. Narzędzie elektryczne nie ma wewnętrznych części, które użytkownik mógłby serwisować lub naprawiać. Nigdy nie próbuj naprawiać narzędzia samodzielnie. Oddaj je do autoryzowanego serwisu.

Transport i przechowywanie

- Jeśli narzędzie elektryczne pozostanie nieużywane przez dłuższy czas, powinno być przechowywane w oryginalnym opakowaniu.
- Przechowuj narzędzie elektryczne i baterię w suchym, wolnym od mrozu, dobrze wentylowanym miejscu.
- Trzymaj wszystkie narzędzia poza zasięgiem dzieci.
- Zawsze wyłączaj elektronarzędzie i odłącz je od źródła zasilania (wyjmij baterię/odłącz przewód) przed transportem.
- Zawsze przenoś elektronarzędzie za uchwyt przeznaczony do tego celu.
- Upewnij się, że elektronarzędzie nie jest narażone na przewrócenie ani na silne wibracje i wstrząsy podczas transportu, szczególnie gdy jest przewożone samochodem lub innym pojazdem.

UWAGA

Temperatura pracy: 0-40 °C Temperatura przechowywania: 20-60 °C

OŚWIADCZENIE GWARANCYJNE

Dowód zakupu będzie wymagany przed zgłoszeniem roszczenia gwarancyjnego. Pełne warunki gwarancji są dostępne u lokalnego dystrybutora, można je znaleźć na stronie JCB Tools:

www.jcb-tools.com

DLA KAŻDEJ MASZYNY SPRZEDANEJ POZA UK, PROSIMY O KONTAKT Z SPRZEDAWCĄ, OD KTÓREGO ZAKUPIONO MASZYNĘ, LUB Z LOKALNYM DYSTRYBUTOREM JCB TOOLS

ZWRACANIE PRODUKTU

Jeśli chcesz zwrócić produkt, skontaktuj się z dealerem, aby uzyskać informacje o jego polityce zwrotów.